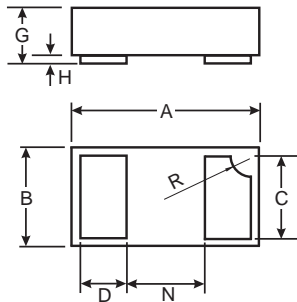


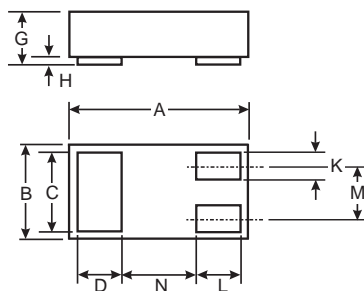
Surface Mount Packages

DFN1006-2 / DFN1006H4-2



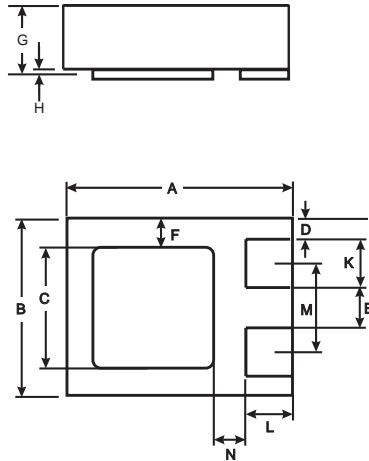
Dim	DFN1006-2			DFN1006H4-2		
	Min	Max	Typ	Min	Max	Typ
A	0.95	1.075	1.00	0.95	1.075	1.00
B	0.55	0.675	0.60	0.55	0.675	0.60
C	0.45	0.55	0.50	0.45	0.55	0.50
D	0.20	0.30	0.25	0.20	0.30	0.25
G	0.47	0.53	0.50	0.34	0.4	0.37
H	0	0.05	0.03	0	0.05	0.03
N	—	—	0.40	—	—	0.40
R	0.05	0.15	0.10	0.05	0.15	0.10
All Dimensions in mm						

DFN1006-3 / DFN1006H4-3



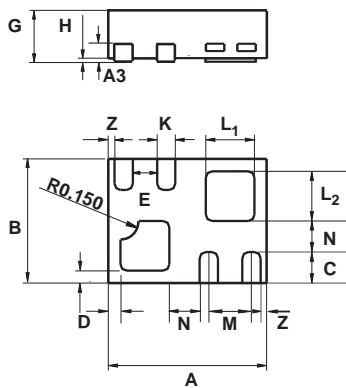
Dim	DFN1006-3			DFN1006H4-3		
	Min	Max	Typ	Min	Max	Typ
A	0.95	1.075	1.00	0.95	1.075	1.00
B	0.55	0.675	0.60	0.55	0.675	0.60
C	0.45	0.55	0.50	0.45	0.55	0.50
D	0.20	0.30	0.25	0.20	0.30	0.25
G	0.47	0.53	0.50	—	0.40	—
H	0	0.05	0.03	0	0.05	0.02
K	0.10	0.20	0.15	0.10	0.20	0.15
L	0.20	0.30	0.25	0.20	0.30	0.25
M	—	—	0.35	—	—	0.35
N	—	—	0.40	—	—	0.40
All Dimensions in mm						

DFN1411-3



DFN1411-3			
Dim	Min	Max	Typ
A	1.35	1.48	1.40
B	1.05	1.18	1.10
C	0.65	0.85	0.75
D	—	—	0.125
E	—	—	0.25
F	—	—	0.175
G	0.47	0.53	0.50
H	0	0.05	0.02
K	0.25	0.35	0.30
L	0.22	0.33	0.275
M	—	—	0.55
N	—	—	0.20
All Dimensions in mm			

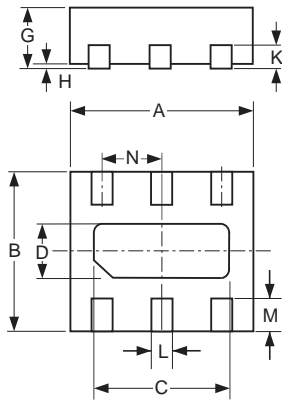
DFN1612-6 / DFN1310H4-6



* Dimensions D, K, N Repeat 4x
** Dimensions E, L₁, L₂, M, Z Repeat 2x

Dim	DFN1612-6			DFN1310H4-6		
	Min	Max	Typ	Min	Max	Typ
A	1.55	1.68	1.60	1.25	1.38	1.30
A3	—	—	0.13	—	—	0.13
B	1.15	1.28	1.20	0.95	1.08	1.00
C	0.20	0.30	0.25	0.20	0.30	0.25
D*	—	—	0.15	—	—	0.10
E**	—	—	0.20	—	—	0.20
G	0.47	0.53	0.50	—	0.40	—
H	0	0.05	0.02	0	0.05	0.02
K*	0.15	0.25	0.20	0.10	0.20	0.15
L ₁ **	0.40	0.60	0.50	0.30	0.50	0.40
L ₂ **	0.45	0.65	0.55	0.30	0.50	0.40
M**	—	—	0.40	—	—	0.35
N*	—	—	0.25	—	—	0.25
Z**	—	—	0.10	—	—	0.05
All Dimensions in mm						

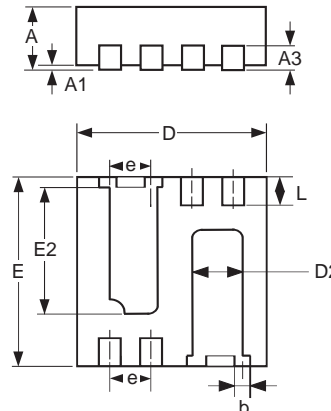
DFN1616-6



Bottom View

DFN1616-6			
Dim	Min	Max	Typ
A	1.55	1.675	1.60
B	1.55	1.675	1.60
C	1.10	1.30	1.20
D	0.30	0.50	0.40
G	0.545	0.605	0.575
H	0	0.05	0.02
K	—	—	0.13
L	0.20	0.30	0.25
M	0.275	0.375	0.325
N	—	—	0.50
All Dimensions in mm			

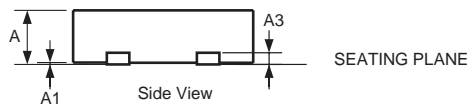
DFN1616-8



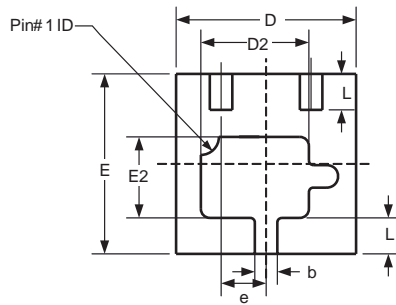
Bottom View

DFN1616-8			
Dim	Min	Max	Typ
D	1.55	1.675	1.60
E	1.55	1.675	1.60
D2	0.35	0.55	0.45
E2	0.90	1.10	1.00
A	0.545	0.605	0.575
A1	0	0.05	0.02
A3	—	—	0.13
b	0.15	0.25	0.20
L	0.25	0.35	0.30
e	—	—	0.40
All Dimensions in mm			

DFN2020-3



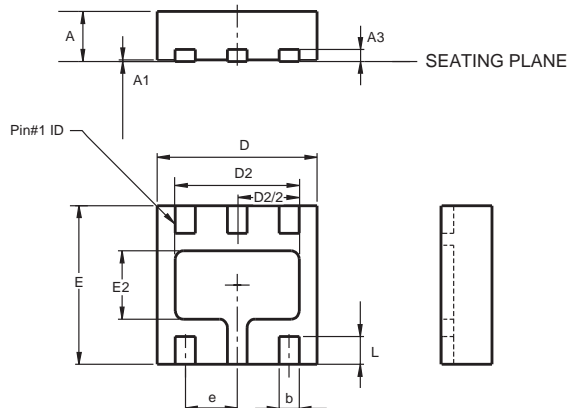
Side View



Bottom View

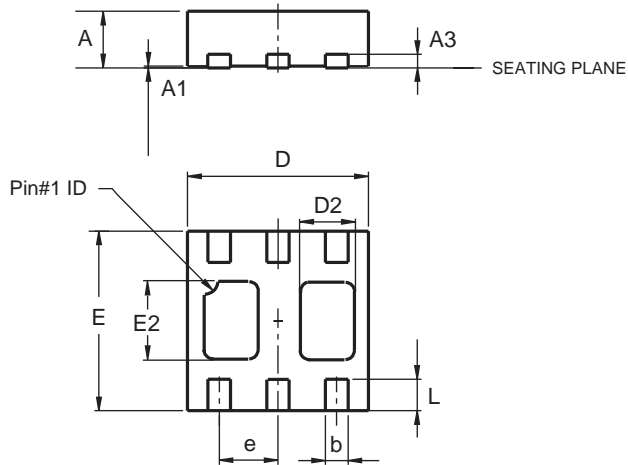
Dim	DFN2020-3		
	Min	Max	Typ
A	0.57	0.63	0.60
A1	0	0.05	0.02
A3	—	—	0.152
b	0.20	0.30	0.25
D	1.95	2.075	2.00
D2	1.10	1.30	1.20
e	—	—	0.50
E	1.95	2.075	2.00
E2	0.80	1.00	0.90
L	0.35	0.45	0.40
All Dimensions in mm			

DFN2020-6



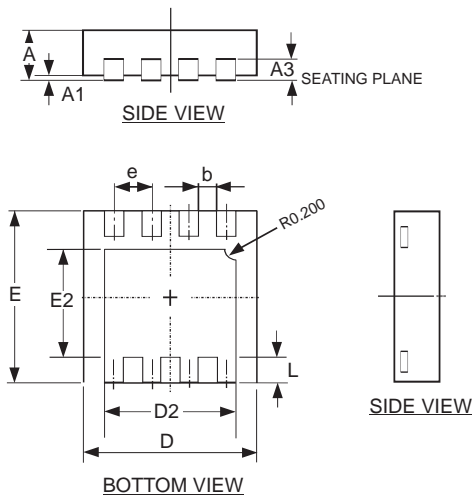
Dim	DFN2020-6		
	Min	Max	Typ
A	0.57	0.63	0.60
A1	0	0.05	0.03
A3	—	—	0.15
b	0.20	0.30	0.25
D	1.95	2.075	2.00
D2	1.45	1.65	1.55
e	—	—	0.65
E	1.95	2.075	2.00
E2	0.76	0.96	0.86
L	0.30	0.40	0.35
All Dimensions in mm			

DFN2020B-6



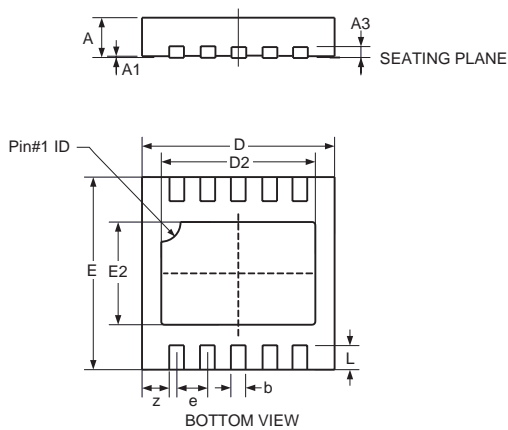
Dim	DFN2020B-6		
	Min	Max	Typ
A	0.47	0.53	0.50
A1	0	0.05	0.02
A3	—	—	0.13
b	0.20	0.30	0.25
D	1.95	2.075	2.00
D2	0.50	0.70	0.60
e	—	—	0.65
E	1.95	2.075	2.00
E2	0.90	1.10	1.00
L	0.25	0.35	0.30
All Dimensions in mm			

DFN3030-8



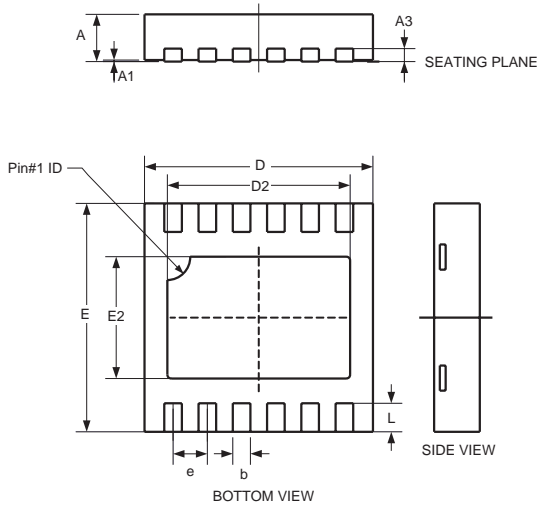
Dim	DFN3030-8		
	Min	Max	Typ
A	0.57	0.63	0.60
A1	0	0.05	0.02
A3	—	—	0.15
b	0.29	0.39	0.34
D	2.90	3.10	3.00
D2	2.19	2.39	2.29
e	—	—	0.65
E	2.90	3.10	3.00
E2	1.64	1.84	1.74
L	0.30	0.60	0.45
All Dimensions in mm			

DFN3030-10



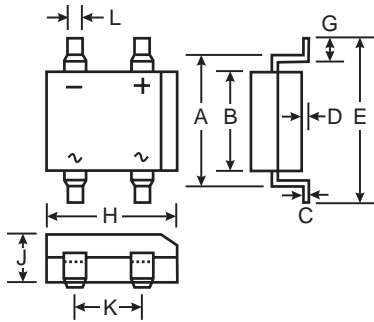
Dim	DFN3030-10		
	Min	Max	Typ
A	0.57	0.63	0.60
A1	0	0.05	0.02
A3	—	—	0.15
b	0.20	0.30	0.25
D	2.90	3.10	3.00
D2	2.30	2.50	2.40
e	—	—	0.50
E	2.90	3.10	3.00
E2	1.50	1.70	1.60
L	0.25	0.55	0.40
z	—	—	0.375
All Dimensions in mm			

DFN3030-12



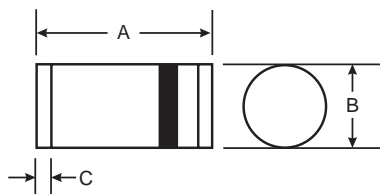
Dim	DFN3030-12		
	Min	Max	Typ
A	0.57	0.63	0.60
A1	0	0.05	0.02
A3	—	—	0.15
b	0.18	0.28	0.23
D	2.90	3.10	3.00
D2	2.30	2.50	2.40
e	—	—	0.45
E	2.90	3.10	3.00
E2	1.50	1.70	1.60
L	0.25	0.55	0.40
All Dimensions in mm			

DF-S / MiniDIP



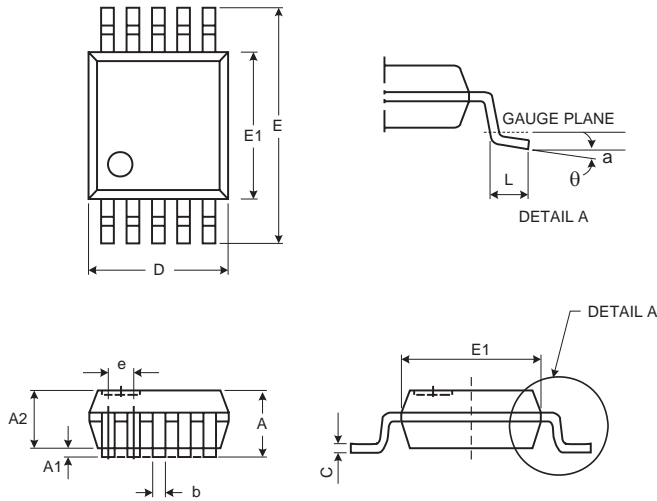
Dim	DF-S		MiniDIP	
	Min	Max	Min	Max
A	7.40	7.90	5.43	5.75
B	6.20	6.50	3.6	4.0
C	0.22	0.30	0.15	0.35
D	0.076	0.33	0.05	0.20
E	—	10.40	—	7.0
G	1.02	1.53	0.70	1.10
H	8.13	8.51	4.5	4.9
J	2.40	3.40	2.3	2.7
K	5.00	5.20	2.3	2.7
L	1.00	1.20	0.50	0.80
All Dimensions in mm				

MiniMELF / MELF



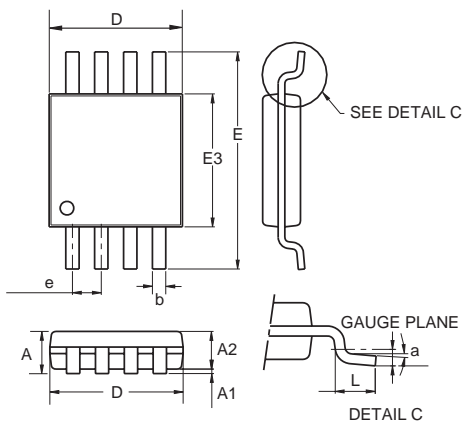
Dim	MiniMELF		MELF	
	Min	Max	Min	Max
A	3.30	3.70	4.80	5.20
B	1.30	1.60	2.40	2.60
C	0.28	0.50	0.55 Nominal	
All Dimensions in mm				

MSOP-10L



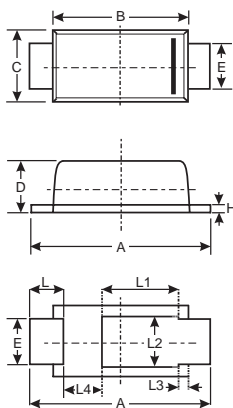
Dim	MSOP-10L		
	Min	Typ	Max
a	0°	3°	6°
A	0.81	1.02	1.22
A1	0.05	—	0.15
A2	0.76	0.86	0.97
b	0.15	0.20	0.25
D	2.90	3.00	3.10
e	—	0.50	—
E	4.80	4.90	5.00
E1	2.90	3.00	3.10
L	0.40	0.53	0.66
All Dimensions in mm			

MSOP-8L



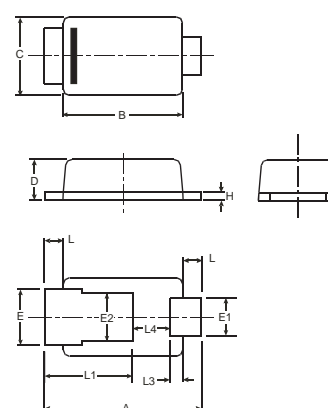
Dim	MSOP-8L		
	Min	Typ	Max
a	0°	4°	8°
A	—	—	1.10
A1	0.05	0.10	0.15
A2	0.75	0.86	0.95
b	0.22	0.30	0.38
D	2.90	3.00	3.10
e	—	0.65	—
E	4.70	4.90	5.10
E3	2.85	2.95	3.05
L	0.40	0.60	0.80
All Dimensions in mm			

PowerDI®123



PowerDI®123				
Dim	Min	Max	Typ	
A	3.50	3.90	3.70	
B	2.60	3.00	2.80	
C	1.63	1.93	1.78	
D	0.93	1.00	0.98	
E	0.85	1.25	1.00	
H	0.15	0.25	0.20	
L	0.45	0.85	0.65	
L1	—	—	1.35	
L2	—	—	1.10	
L3	—	—	0.20	
L4	0.90	1.30	1.05	
All Dimensions in mm				

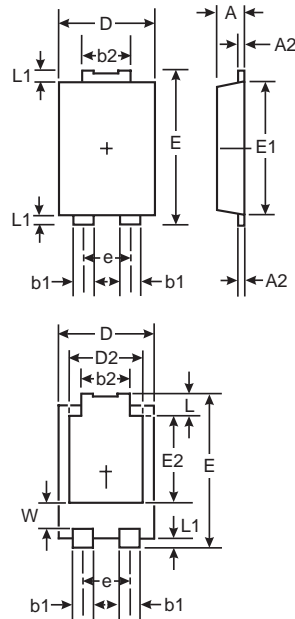
PowerDI®323



PowerDI®323				
Dim	Min	Max	Typ	
A	2.40	2.60	2.50	
B	1.85	1.95	1.90	
C	1.20	1.30	1.25	
D	0.60	0.70	0.65	
E	0.78	0.98	0.88	
E1	0.50	0.70	0.60	
E2	0.60	1.00	0.80	
H	0.08	0.18	0.13	
L	0.20	0.40	0.30	
L1	—	—	1.40	
L3	—	—	0.20	
L4	0.40	0.80	0.60	
All Dimensions in mm				

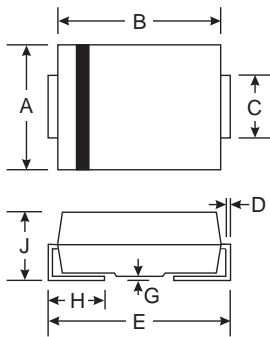
PowerDI is a registered trademark of Diodes Incorporated.

PowerDI®5



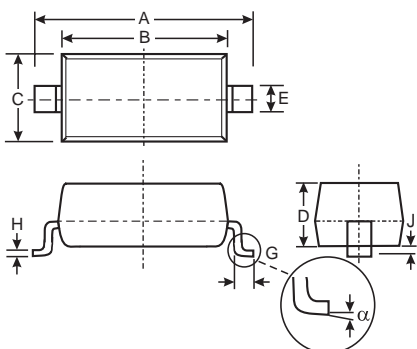
PowerDI®5		
Dim	Min	Max
A	1.05	1.15
A2	0.33	0.43
b1	0.80	0.99
b2	1.70	1.88
D	3.90	4.05
D2	3.05 NOM	
E	6.40	6.60
e	1.84 NOM	
E1	5.30	5.45
E2	3.55 NOM	
L	0.75	0.95
L1	0.50	0.65
W	1.20	1.50
All Dimensions in mm		

SMA, SMB, SMC



Dim	SMA		SMB		SMC	
	Min	Max	Min	Max	Min	Max
A	2.29	2.92	3.30	3.94	5.59	6.22
B	4.00	4.60	4.06	4.57	6.60	7.11
C	1.27	1.63	1.96	2.21	2.75	3.18
D	0.15	0.31	0.15	0.31	0.15	0.31
E	4.80	5.59	5.00	5.59	7.75	8.13
G	0.05	0.20	0.05	0.20	0.05	0.20
H	0.76	1.52	0.76	1.52	0.76	1.52
J	2.01	2.30	2.00	2.62	2.00	2.62
All Dimensions in mm						

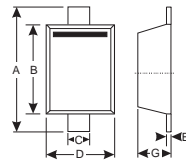
SOD-323 / SOD-123



Dim	SOD-323		SOD-123	
	Min	Max	Min	Max
A	2.30	2.70	3.55	3.85
B	1.60	1.80	2.55	2.85
C	1.20	1.40	1.40	1.70
D	1.05 Typ.		1.00	1.35
E	0.25	0.35	0.45	0.65
G	0.20	0.40	0.25	0.40
H	0.10	0.15	0.10	0.15
J	0.00	0.10	0.00	0.10
α	0°	8°	0	8°
All Dimensions in mm				

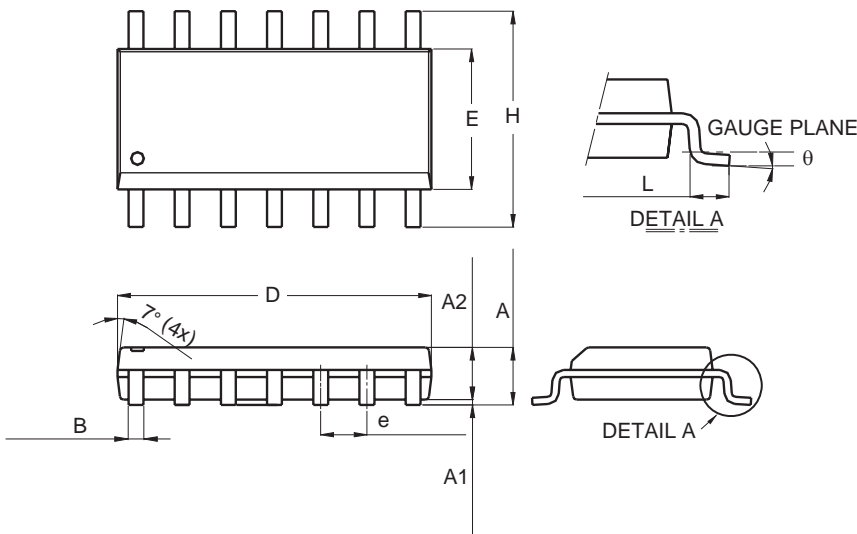
PowerDI is a trademark of Diodes Incorporated.

SOD-523



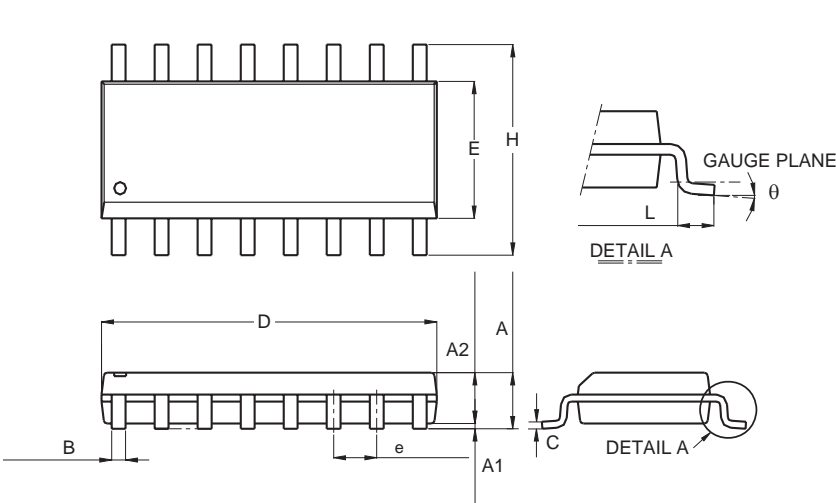
SOD-523		
Dim	Min	Max
A	1.50	1.70
B	1.10	1.30
C	0.25	0.35
D	0.70	0.90
E	0.10	0.12
G	0.50	0.65

SOP-14L



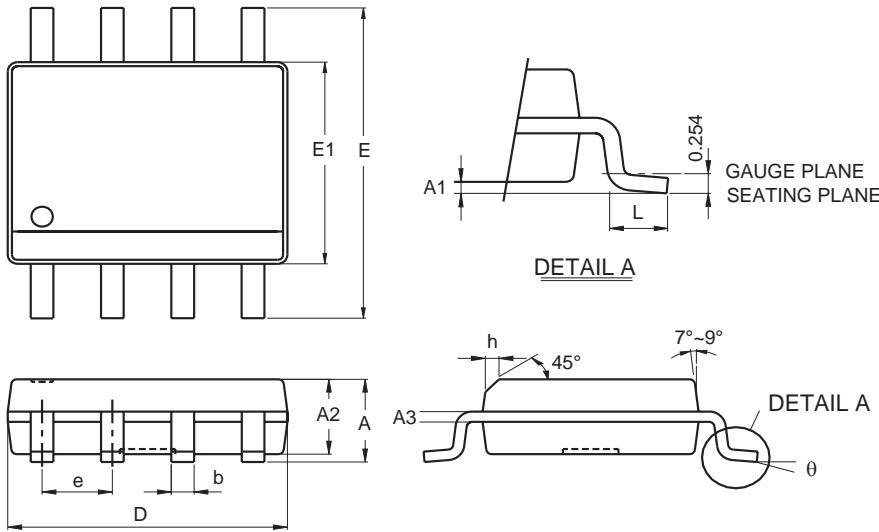
Dim	SOP-14L	
	Min	Max
A	1.35	1.75
A1	0.10	0.25
A2	1.30	1.50
B	0.33	0.51
D	8.55	8.75
E	3.80	4.00
e	1.27 Typ.	
H	5.80	6.20
L	0.38	1.27
θ	0°	8°
All Dimensions in mm		

SOP-16L



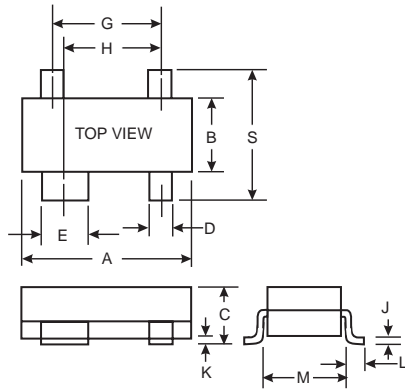
Dim	SOP-16L	
	Min	Max
A	1.40	1.75
A1	0.10	0.25
A2	1.30	1.50
B	0.33	0.51
C	0.19	0.25
D	9.80	10.00
E	3.80	4.00
e	1.27 Typ.	
H	5.80	6.20
L	0.38	1.27
θ	0°	8°
All Dimensions in mm		

SOP-8L



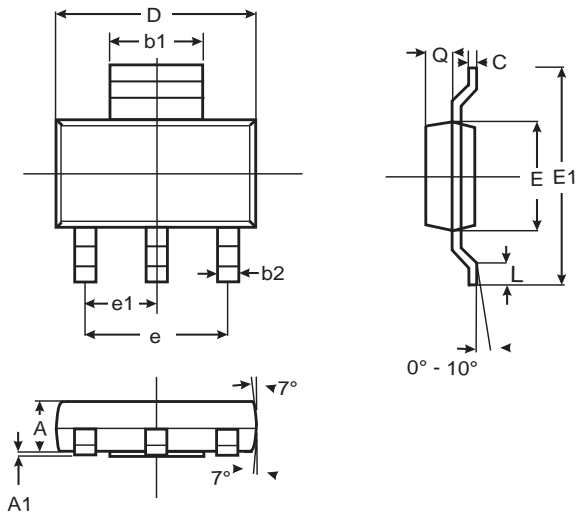
Dim	SOP-8L	
	Min	Max
A	—	1.75
A1	0.08	0.25
A2	1.30	1.50
A3	0.20 Typ.	
b	0.3	0.5
D	4.80	5.30
E	5.79	6.20
E1	3.70	4.10
e	1.27 Typ.	
h	—	0.35
L	0.38	1.27
θ	0°	8°
All Dimensions in mm		

SOT-143



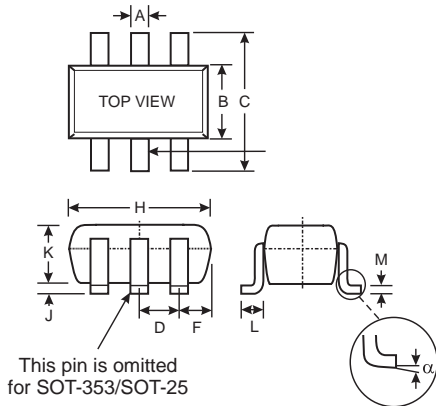
SOT-143		
Dim	Min	Max
A	2.80	3.04
B	1.20	1.40
C	0.80	1.20
D	0.37	0.46
E	0.76	0.89
G	1.92 Typ.	
H	1.72 Typ.	
J	0.085	0.130
K	0.051	0.127
L	0.25	0.55
M	1.00	1.69
S	2.10	2.64
All Dimensions in mm		

SOT-223



SOT-223			
Dim	Min	Max	Typ
A	1.55	1.65	1.60
A1	0.010	0.15	0.05
b1	2.90	3.10	3.00
b2	0.60	0.80	0.70
C	0.20	0.30	0.25
D	6.45	6.55	6.50
E	3.45	3.55	3.50
E1	6.90	7.10	7.00
e	—	—	4.60
e1	—	—	2.30
L	0.85	1.05	0.95
Q	0.84	0.94	0.89
All Dimensions in mm			

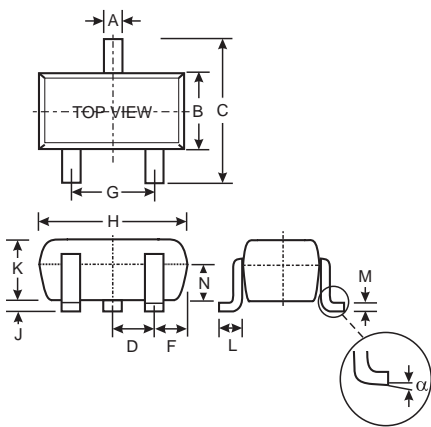
SOT-363 / SOT-353 / SOT-26 / SC-74R / SOT-25



Dim	SOT-363 / 353		SOT-26 / SC-74R / SOT-25		
	Min	Max	Min	Max	Typ
A	0.10	0.30	0.35	0.50	0.38
B	1.15	1.35	1.50	1.70	1.60
C	2.00	2.20	2.70	3.00	2.80
D	0.65 NOM		—	—	0.95
F	0.30	0.40	—	—	0.55
H	1.80	2.20	2.90	3.10	3.00
J	—	0.10	0.013	0.10	0.05
K	0.90	1.00	1.00	1.30	1.10
L	0.25	0.40	0.35	0.55	0.40
M	0.10	0.25	0.10	0.20	0.15
α	0°	8°	0°	8°	—

All Dimensions in mm

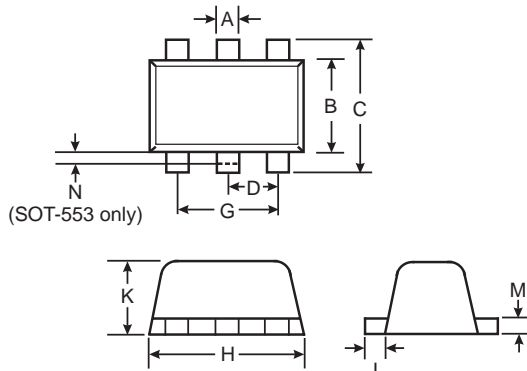
SOT-523 / SOT-323 / SOT-23 / SC-59



Dim	SOT-523			SOT-323		SOT-23		SC-59	
	Min	Max	Typ	Min	Max	Min	Max	Min	Max
A	0.15	0.30	0.22	0.25	0.40	0.37	0.51	0.35	0.50
B	0.75	0.85	0.80	1.15	1.35	1.20	1.40	1.50	1.70
C	1.45	1.75	1.60	2.00	2.20	2.30	2.50	2.70	3.00
D	—	—	0.50	0.65 NOM		0.89	1.03	0.95	
F	—	—	—	0.375	0.475	0.45	0.60	—	—
G	0.90	1.10	1.00	1.20	1.40	1.78	2.05	1.90	
H	1.50	1.70	1.60	1.80	2.20	2.80	3.00	2.90	3.10
J	0.00	0.10	0.05	0.0	0.10	0.013	0.10	0.013	0.10
K	0.60	0.80	0.75	0.90	1.00	0.903	1.10	1.00	1.30
L	0.10	0.30	0.22	0.25	0.40	0.45	0.61	0.35	0.55
M	0.10	0.20	0.12	0.10	0.18	0.085	0.180	0.10	0.20
N	0.45	0.65	0.50	—	—	—	—	0.70	0.80
α	0°	8°	—	0°	8°	0°	8°	0°	8°

All Dimensions in mm

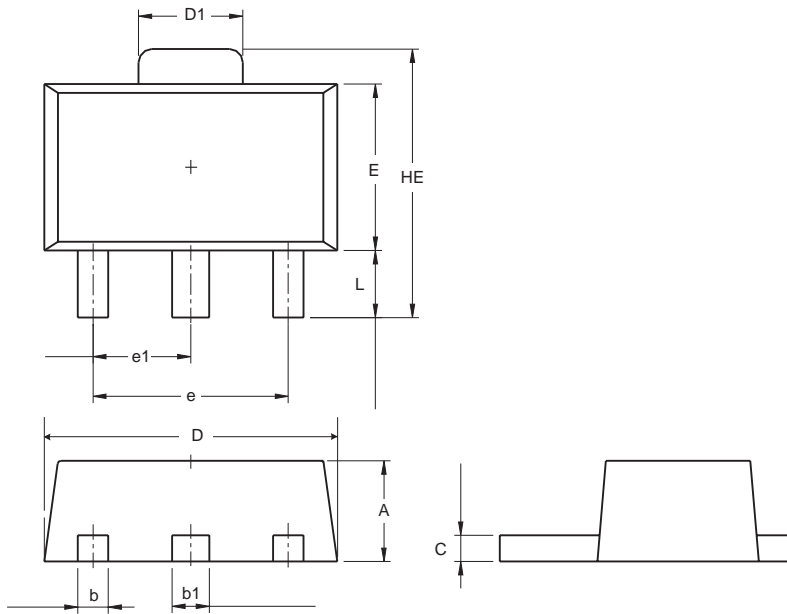
SOT-553 / 563



SOT-553 / 563			
Dim	Min	Max	Typ
A	0.15	0.30	0.20
B	1.10	1.25	1.20
C	1.55	1.70	1.60
D	0.50	—	
G	0.90	1.10	1.00
H	1.50	1.70	1.60
K	0.55	0.60	0.60
L	0.10	0.30	0.20
M	0.10	0.18	0.11
N	—	—	0.1

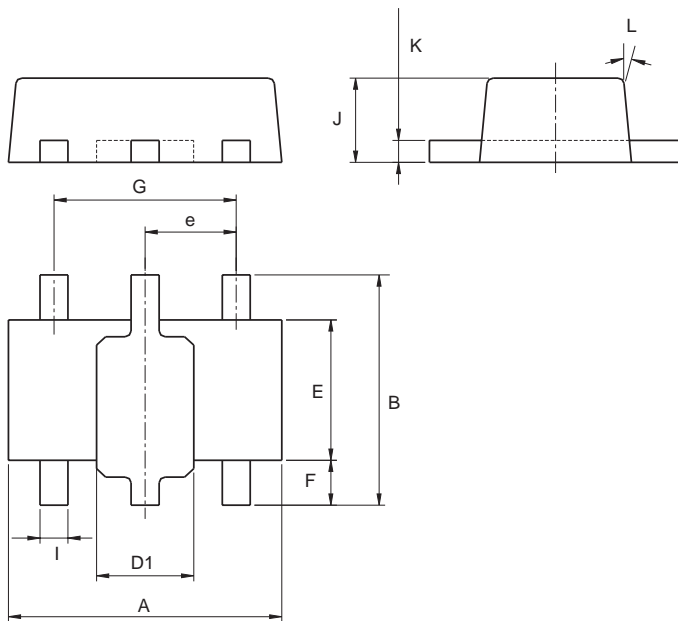
All Dimensions in mm

SOT89-3L



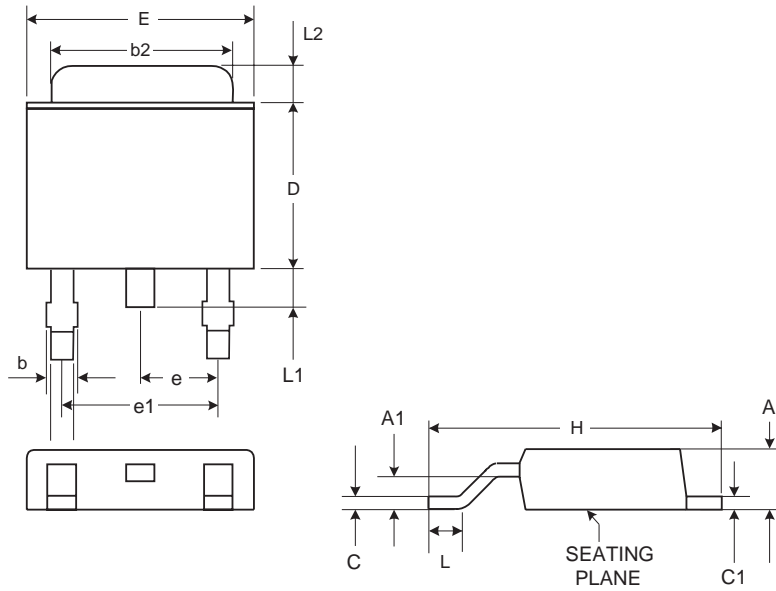
Dim	SOT89-3L	
	Min	Max
A	1.40	1.60
b	0.36	0.48
b1	0.41	0.53
C	0.35	0.43
D	4.40	4.60
D1	1.40	1.75
e	2.90	3.10
e1	1.45	1.55
E	2.35	2.60
HE	3.94	4.25
L	0.80	1.20
All Dimensions in mm		

SOT89-5L



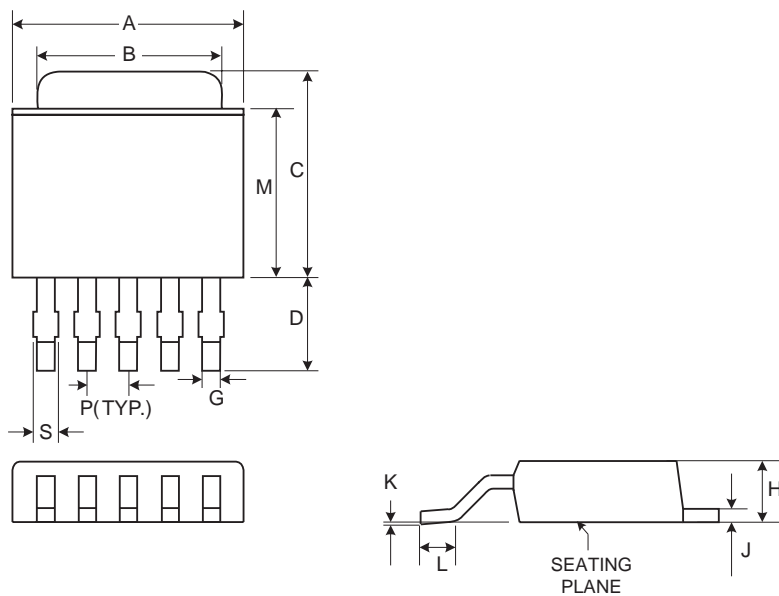
Dim	SOT89-5L	
	Min	Max
A	4.40	4.60
B	4.05	4.25
D1	1.50	1.70
e	1.45	1.55
E	2.40	2.60
F	0.80	—
G	3.00 Ref.	
I	0.40	0.52
J	1.40	1.60
K	0.35	0.43
L	5° Typ.	
All Dimensions in mm		

TO252-3L / DPAK



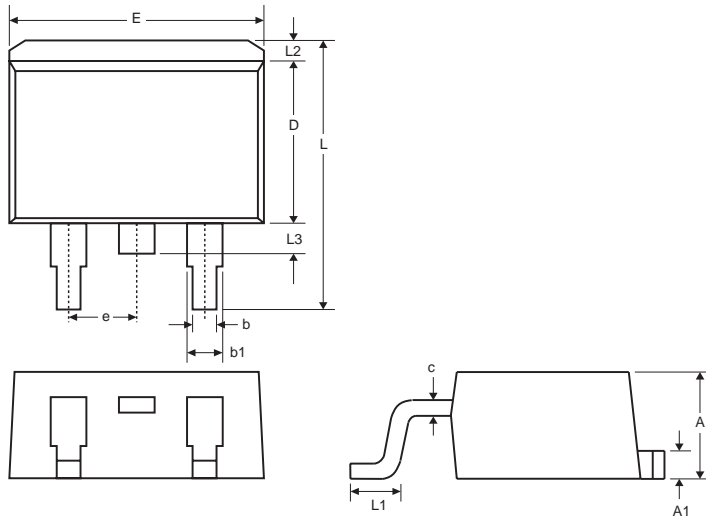
Dim	TO252-3L / DPAK	
	Min	Max
A	2.18	2.40
A1	0.89	1.14
b	0.61 Typ.	
b2	5.20	5.50
C	0.45	0.58
C1	0.45	0.58
D	5.40	6.20
E	6.35	6.80
e	2.28 Typ.	
e1	4.57 Typ.	
H	9.00	10.40
L	0.51	—
L1	0.64	1.02
L2	0.88	1.27
All Dimensions in mm		

TO252-5L



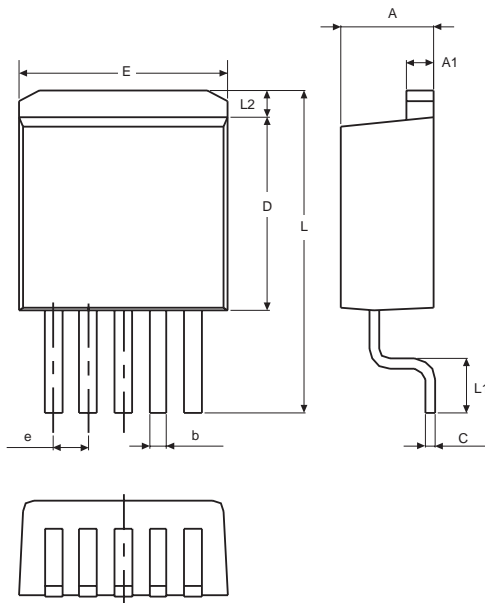
Dim	TO252-5L	
	Min	Max
A	6.35	6.85
B	5.20	5.50
C	6.80	7.30
D	2.20	2.80
P	1.27 Ref.	
S	0.50	0.80
G	0.40	0.63
H	2.20	2.40
J	0.45	0.58
K	0.00	0.15
L	0.90	1.63
M	5.40	6.20
All Dimensions in mm		

TO263-3L / D²PAK



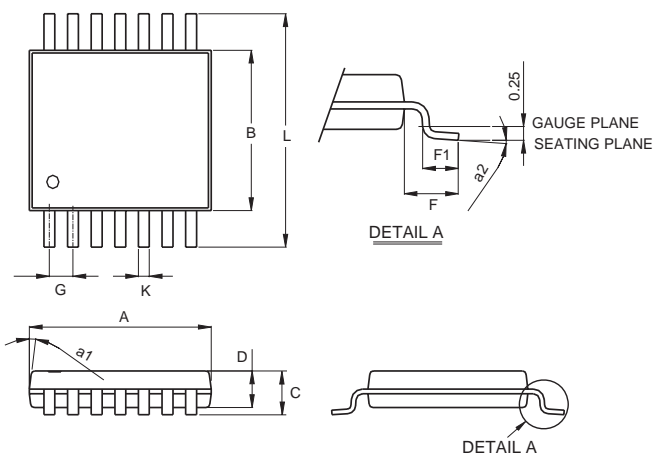
Dim	TO263-3L / D ² PAK	
	Min	Max
A	4.06	4.83
A1	1.14	1.40
b	0.51	0.99
b1	1.14	1.40
c	0.38 Typ.	
D	8.65	9.65
E	9.65	10.29
e	2.54 Typ.	
L	14.61	15.88
L1	2.28	2.80
L2	—	2.92
L3	1.27	1.78
All Dimensions in mm		

TO263-5L



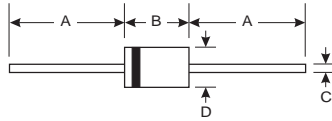
Dim	TO263-5L	
	Min	Max
A	4.07	4.85
A1	1.14	1.40
b	0.66	1.02
C	0.36	0.64
D	8.65	9.65
E	9.78	10.54
e	1.57	1.85
L	14.61	15.88
L1	2.29	2.79
L2	—	2.92
All Dimensions in mm		

TSSOP-14L



Dim	TSSOP-14L	
	Min	Max
a1	7° (4X)	
a2	0°	8°
A	4.9	5.10
B	4.30	4.50
C	—	1.2
D	0.8	1.05
F	1.00 Ref.	
F1	0.45	0.75
G	0.65 Ref.	
K	0.19	0.30
L	6.40 Ref.	
All Dimensions in mm		

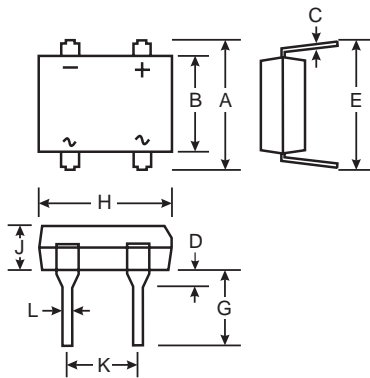
Axial / Through-Hole Packages



Dim	A		B		C		D	
	Min	Max	Min	Max	Min	Max	Min	Max
A-405	25.40	—	4.10	5.20	0.53	0.64	2.00	2.70
DO-35	25.40	—	—	4.00	—	0.60	—	2.00
DO-41 Plastic	25.40	—	4.06	5.21	0.71	0.864	2.00	2.72
DO-41 Glass	25.40	—	—	4.70	—	0.863	—	2.71
DO-15	25.40	—	5.50	7.62	0.686	0.889	2.60	3.60
DO-201	25.40	—	8.50	9.53	0.96	1.06	4.80	5.21
DO-201AD	25.40	—	7.20	9.50	1.20	1.30	4.80	5.30
R-6	25.40	—	8.60	9.10	1.20	1.30	8.60	9.10
T-1	25.40	—	2.60	3.20	0.53	0.64	2.20	2.60

All Dimensions in mm

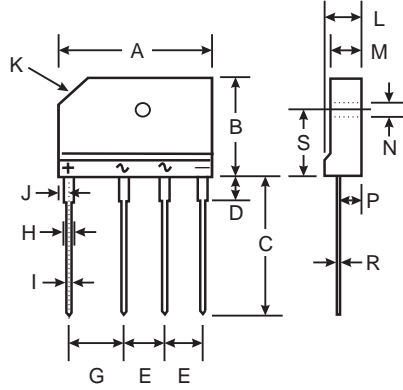
DF-M



Dim	DF-M	
	Min	Max
A	7.40	7.90
B	6.20	6.50
C	0.22	0.30
D	1.27	2.03
E	7.60	8.90
G	3.81	4.69
H	8.13	8.51
J	2.40	3.40
K	5.00	5.20
L	0.46	0.58

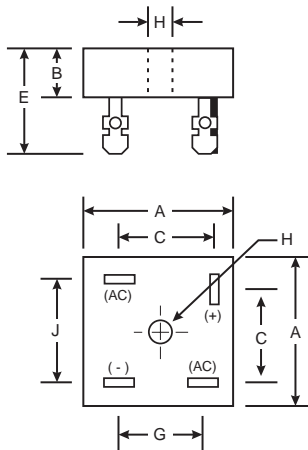
All Dimensions in mm

GBJ



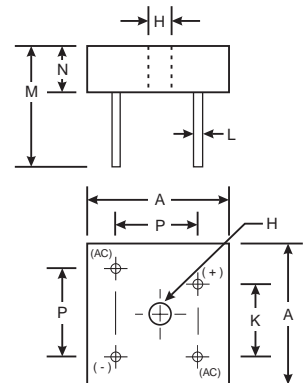
GBJ		
Dim	Min	Max
A	29.70	30.30
B	19.70	20.30
C	17.00	18.00
D	3.80	4.20
E	7.30	7.70
G	9.80	10.20
H	2.00	2.40
I	0.90	1.10
J	2.30	2.70
K	3.0 X 45°	
L	4.40	4.80
M	3.40	3.80
N	3.10	3.40
P	2.50	2.90
R	0.60	0.80
S	10.80	11.20
All Dimensions in mm		

GBPC

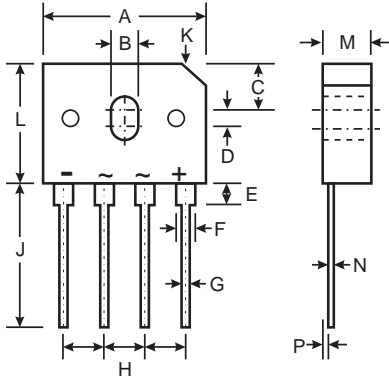


GBPC / GBPC-W		
Dim	Min	Max
A	28.30	28.80
B	7.40	8.00
C	16.10	17.10
E	18.80	21.30
G	13.80	14.80
H	Hole for #10 screw	
	4.85 \varnothing	5.59 \varnothing
J	17.60	18.60
K	10.90	11.90
L	0.97 \varnothing	1.07 \varnothing
M	26.4	—
N	7.40	8.00
P	17.60	18.60
All Dimensions in mm		

GBPC-W

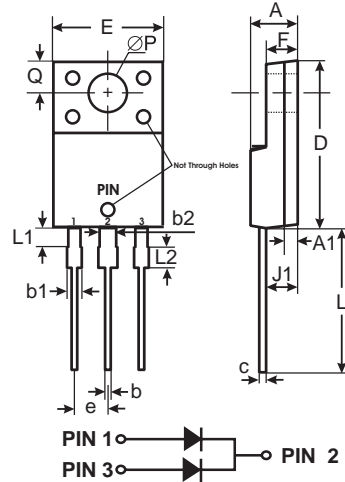


GBU



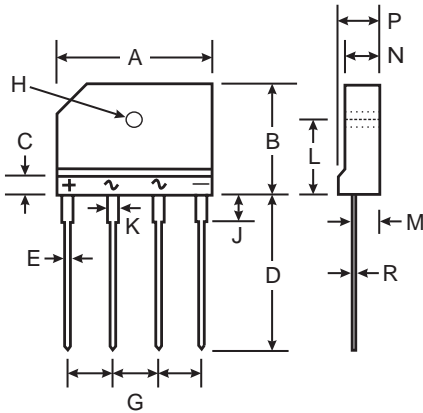
GBU		
Dim	Min	Max
A	21.8	22.3
B	3.5	4.1
C	7.4	7.9
D	1.65	2.16
E	2.25	2.75
F	1.95	2.35
G	1.02	1.27
H	4.83	5.33
J	17.5	18.0
K	3.2 X 45°	
L	18.3	18.8
M	3.30	3.56
N	0.46	0.56
P	0.76	1.0
All Dimensions in mm		

ITO-220AB



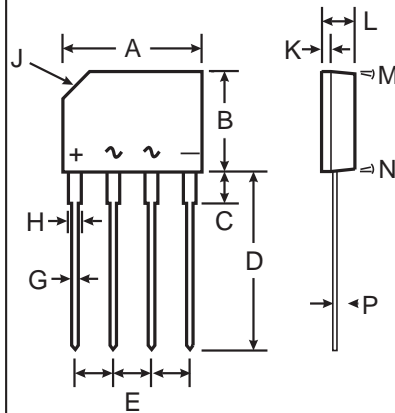
ITO-220AB		
Dim	Min	Max
A	4.30	4.70
A1	1.3	
b	0.50	0.75
b1	1.10	1.35
b2	1.50	1.75
c	0.50	0.75
D	14.80	15.20
E	9.96	10.36
e	2.54 typ	
F	2.80	3.20
J1	2.50	2.90
L	12.80	13.60
L1	1.70	1.90
L2	1.90	2.10
ØP	3.50 typ	
Q	2.70 typ	
All Dimensions in mm		

KBJ



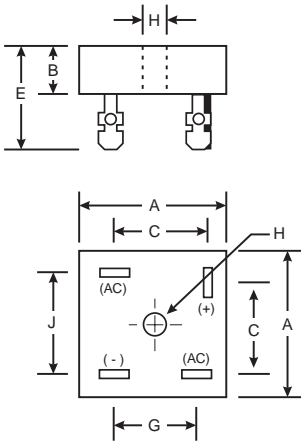
KBJ		
Dim	Min	Max
A	24.80	25.20
B	14.70	15.30
C	4.00 NOM	
D	17.20	17.80
E	0.90	1.10
G	7.30	7.70
H	3.10Ø	3.40Ø
J	3.30	3.70
K	1.50	1.90
L	9.30	9.70
M	2.50	2.90
N	3.40	3.80
P	4.40	4.80
R	0.60	0.80
All Dimensions in mm		

KBP



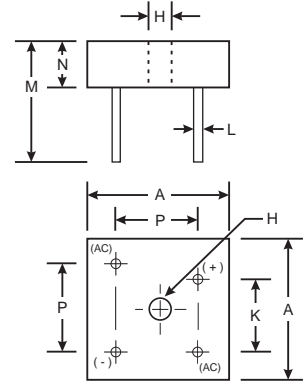
KBP		
Dim	Min	Max
A	14.25	14.75
B	10.20	10.60
C	2.29 Typical	
D	14.25	14.73
E	3.56	4.06
G	0.76	0.86
H	1.17	1.42
J	2.8 X 45° Chamfer	
K	0.80	1.10
L	3.35	3.65
M	3° Nominal	
N	2° Nominal	
P	0.30	0.64
All Dimensions in mm		

MB

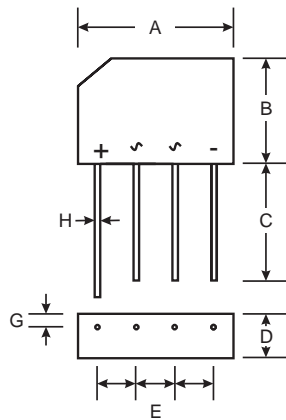


MB / MB-W		
Dim	Min	Max
A	28.40	28.70
B	10.97	11.23
C	15.50	17.60
E	22.86	25.40
G	13.30	15.30
H	Hole for #10 screw	
	4.85 \varnothing	5.59 \varnothing
J	17.10	19.10
K	10.40	12.40
L	0.97 \varnothing NOM	1.07 \varnothing
M	30.50	—
N	10.97	11.23
P	17.10	19.10
All Dimensions in mm		

MB-W

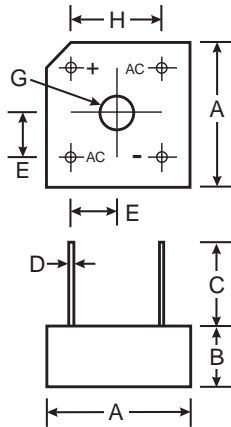


PBL



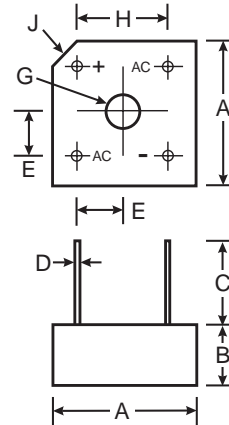
PBL		
Dim	Min	Max
A	18.50	19.50
B	15.40	16.40
C	19.00	—
D	6.20	6.50
E	4.60	5.60
G	1.50	2.00
H	1.30 Typ.	
All Dimensions in mm		

PBPC-3



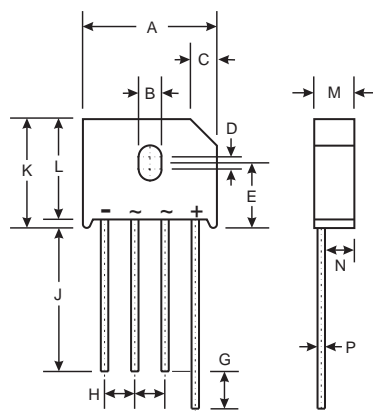
PBPC-3		
Dim	Min	Max
A	14.73	15.75
B	5.84	6.86
C	19.00	—
D	1.0 \varnothing Typ.	
E	1.70	3.20
G	Hole for #6 screw	
	3.60 \varnothing	4.00 \varnothing
H	10.30	11.30
All Dimensions in mm		

PBPC-8



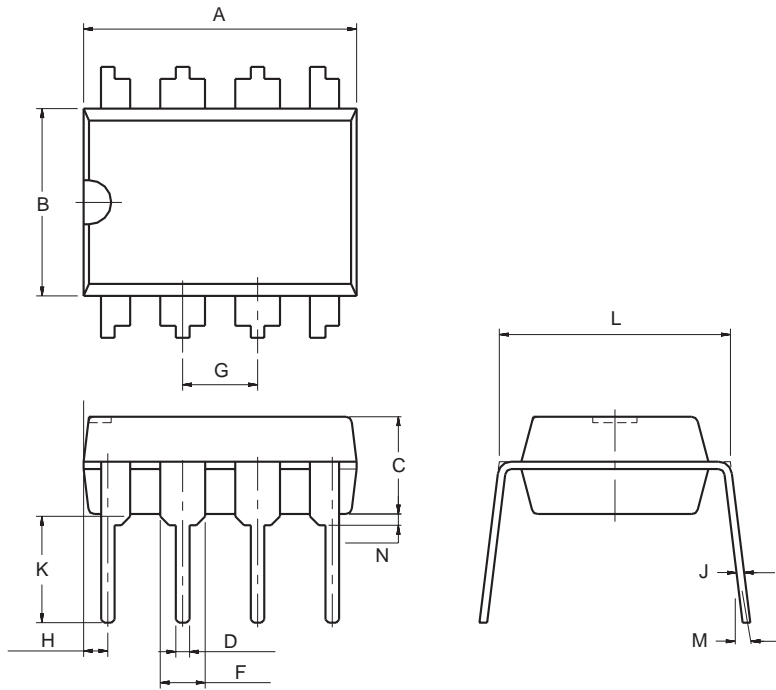
PBPC-8		
Dim	Min	Max
A	18.54	19.56
B	6.35	7.60
C	22.20	—
D	1.27 \varnothing Typ.	
E	5.33	7.37
G	3.60 \varnothing	4.00 \varnothing
H	12.70 Typ.	
J	2.38 X 45° Typ.	
All Dimensions in mm		

PBU



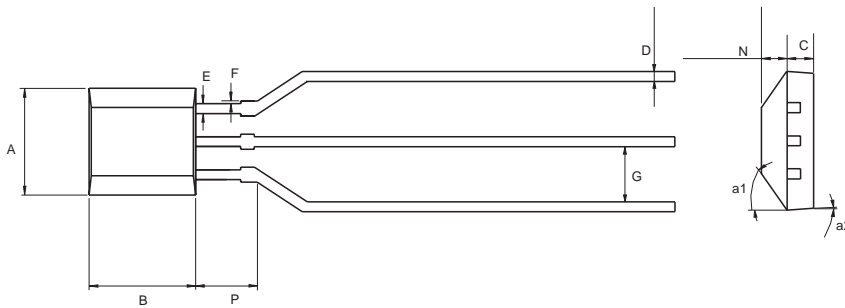
PBU		
Dim	Min	Max
A	22.70	23.70
B	3.80	4.10
C	4.20	4.70
D	1.70	2.20
E	10.30	11.30
G	4.50	6.80
H	4.80	5.80
J	25.40	—
K	—	19.30
L	16.80	17.80
M	6.60	7.10
N	4.70	5.20
P	1.20	1.30
All Dimensions in mm		

PDIP-8L



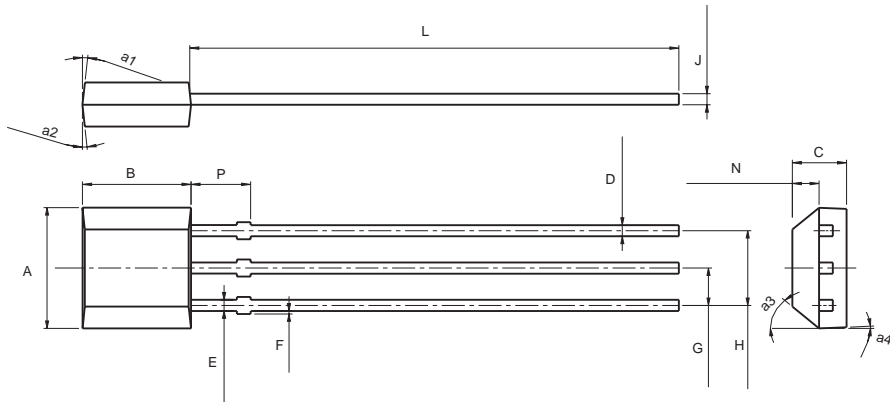
Dim	PDIP-8L	
	Min	Max
A	9.40	10.16
B	6.10	6.60
C	3.94	4.45
D	0.38	0.51
F	1.02	1.78
G	2.54 BSC	
H	0.76	1.27
J	0.20	0.30
K	2.92	3.43
L	7.62 BSC	
M	—	10°
N	0.76	1.01
All Dimensions in mm		

SIP-3L for Ammo Pack only



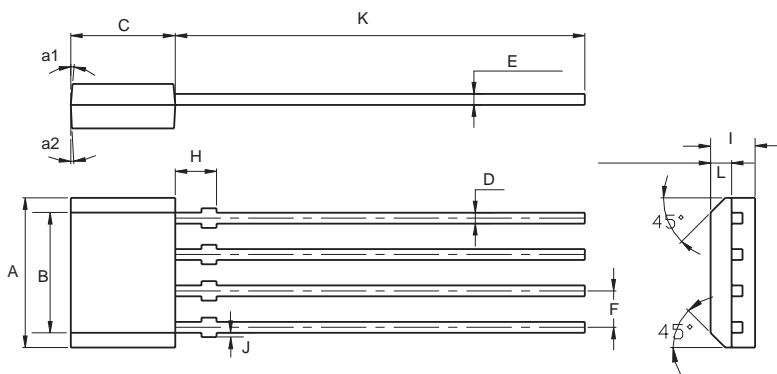
Dim	SIP-3L for Ammo Pack only	
	Min	Max
A	3.9	4.3
a1	45° NOM	
a2	3° NOM	
B	2.8	3.2
C	1.40	1.60
D	0.35	0.41
E	0.43	0.48
F	0	0.2
G	2.4	2.9
N	0.63	0.84
P	1.55 Min.	
All Dimensions in mm		

SIP-3L for Bulk Pack



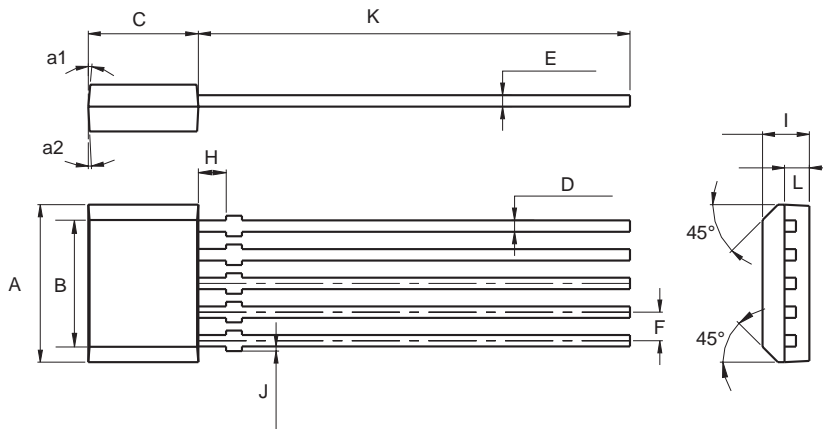
Dim	SIP-3L for Bulk Pack	
	Min	Max
A	3.9	4.3
a1	5° NOM	
a2	5° NOM	
a3	45° NOM	
a4	3° NOM	
B	2.8	3.2
C	1.40	1.60
D	0.35	0.41
E	0.43	0.48
F	0	0.2
G	1.24	1.30
H	2.51	2.57
J	0.35	0.41
L	14.0	15.0
N	0.63	0.84
P	1.55 Min.	
All Dimensions in mm		

SIP-4L



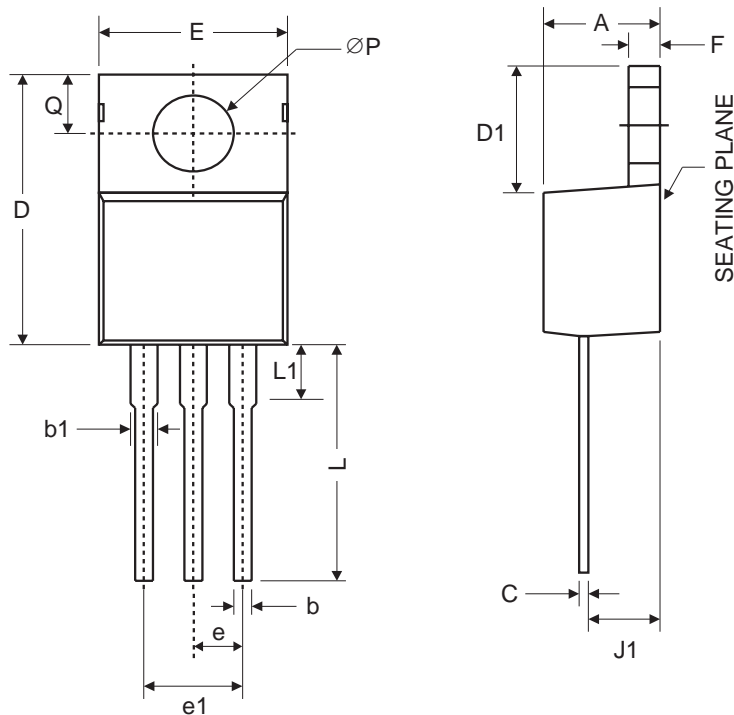
Dim	SIP-4L	
	Min	Max
A	5.12	5.32
B	4.10	4.30
C	3.55	3.75
D	0.38	0.44
E	0.35	0.41
F	1.24	1.30
H	1.32	1.52
I	1.45	1.65
J	0.00	0.2
K	13.00	15.5
L	0.63	0.83
a1	3°	5°
a2	5°	7°
All Dimensions in mm		

SIP-5L



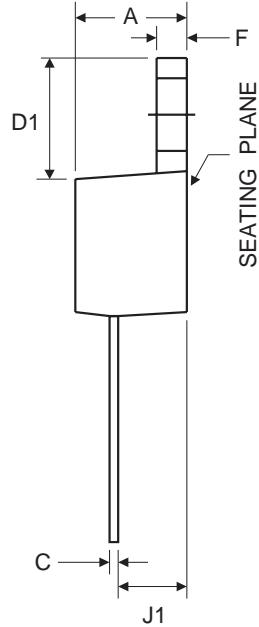
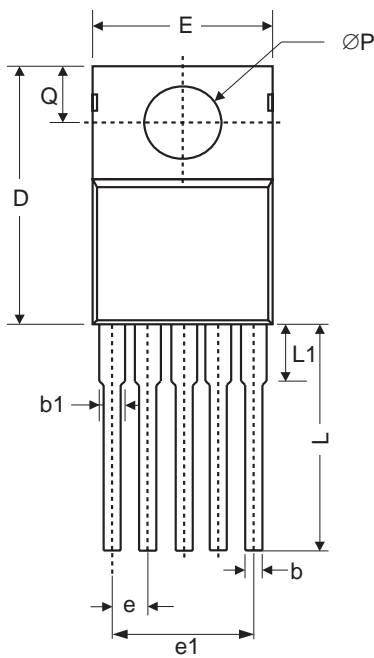
Dim	SIP-5L	
	Min	Max
A	5.12	5.32
B	4.10	4.30
C	3.55	3.75
D	0.38	0.44
E	0.35	0.41
F	0.92	0.98
H	1.32	1.52
I	1.45	1.65
J	0.00	0.2
K	13.00	15.5
L	0.63	0.83
a1	3°	5°
a2	5°	7°
All Dimensions in mm		

TO220-3L



Dim	TO220-3L	
	Min	Max
A	3.55	4.85
b	0.51	1.14
b1	1.14	1.78
C	0.31	1.14
D	14.20	16.50
D1	5.84	6.86
E	9.70	10.70
e	2.79	2.99
e1	4.83	5.33
F	0.51	1.40
J1	2.03	2.92
L	12.72	14.72
L1	3.66	6.35
P	3.53	4.09
Q	2.54	3.43
All Dimensions in mm		

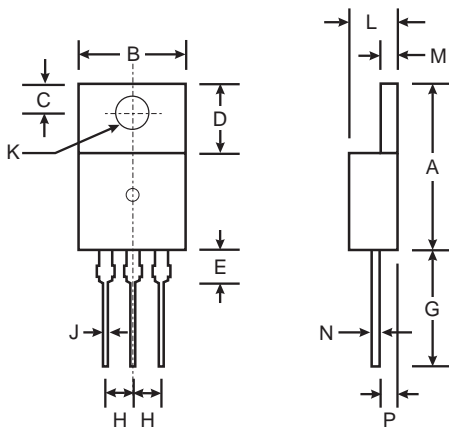
TO220-5L



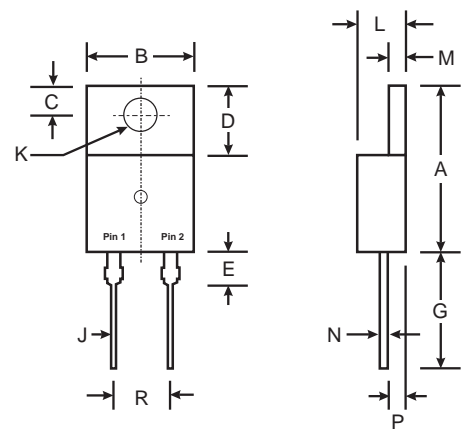
Dim	TO220-5L	
	Min	Max
A	3.55	4.85
b	0.51	1.14
b1	1.14	1.78
C	0.31	1.14
D	14.20	16.50
D1	5.84	6.86
E	9.78	10.54
e	2.79	2.99
e1	4.83	5.33
F	0.51	1.40
J1	2.03	2.92
L	12.72	14.72
L1	3.66	6.35
P	3.53	4.09
Q	2.54	3.43
All Dimensions in mm		

TO-220AB

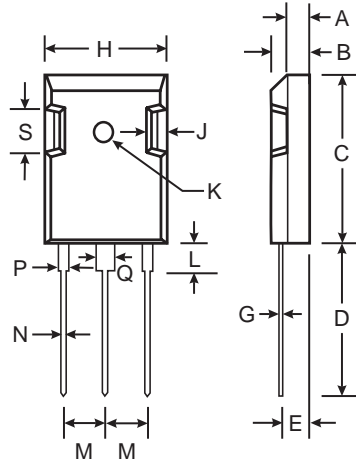
TO-220AC



Dim	TO-220AB		TO-220AC	
	Min	Max	Min	Max
A	14.48	15.75	14.48	15.75
B	10.00	10.40	10.00	10.40
C	2.54	3.43	2.54	3.43
D	5.90	6.40	5.90	6.40
E	2.80	3.93	2.80	3.93
G	12.70	14.27	12.70	14.27
H	2.40	2.70	—	—
J	0.69	0.93	0.69	0.93
K	3.54	3.78	3.54	3.78
L	4.07	4.82	4.07	4.82
M	1.14	1.40	1.14	1.40
N	0.30	0.50	0.30	0.50
P	2.04	2.79	2.04	2.79
R	—	—	4.83	5.33
All Dimensions in mm				

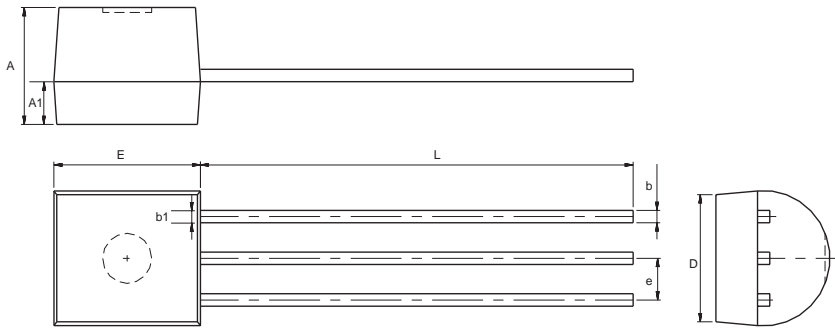


TO-3P / TO-247



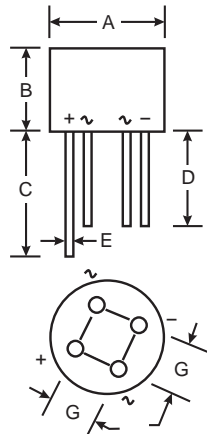
TO-3P / TO-247		
Dim	Min	Max
A	1.9	2.1
B	4.85	5.15
C	20.3	21.75
D	19.60	20.1
E	2.2	2.6
G	0.51	0.76
H	15.45	16.25
J	1.93	2.18
K	2.9 \varnothing	3.2 \varnothing
L	3.78	4.38
M	5.2	5.7
N	1.0	1.4
P	1.8	2.2
Q	2.8	3.2
S	4.4 Typ.	
All Dimensions in mm		

TO92-3L



Dim	TO92-3L	
	Min	Max
A	3.302	3.810
A1	1.016	—
b	0.330	0.432
b1	0.406	0.506
D	4.445	4.669
E	4.445	4.699
L	13.00	15.50
e	1.150	1.390
All Dimensions in mm		

WOG



WOG		
Dim	Min	Max
A	8.84	9.86
B	4.00	4.60
C	27.90	—
D	25.40	—
E	0.71	0.81
G	4.60	5.60
All Dimensions in mm		